

FINND IT! WITH SENSIT[®]LMD

LASER METHANE DETECTOR

Perform gas leak surveys faster and with greater accuracy using the latest tunable diode laser (TDL) technology.



NEW LASER METHANE DETECTOR FOR LEAK SURVEYS!

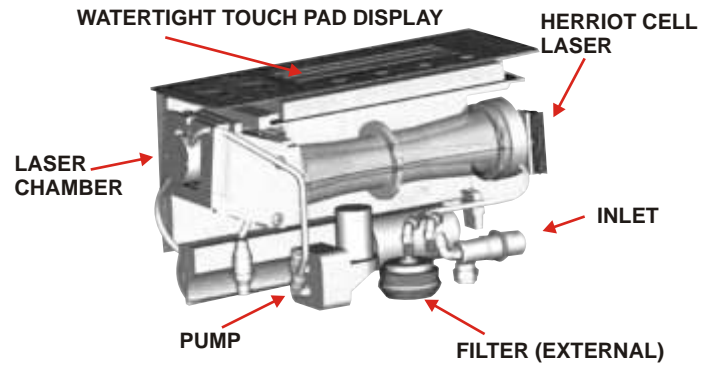
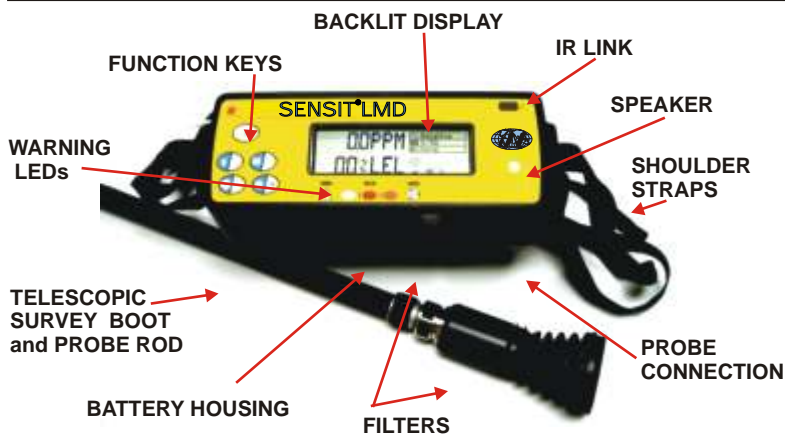
FEATURES AND BENEFITS

- ▶ **Methane selective** - the LMD detects **NO** other gases.
- ▶ **High sensitivity** of 0.1 ppm detects leaks faster.
- ▶ **Detection range** of 0-100% volume for faster leak classification.
- ▶ **Walking or vehicle operation** allows for greater user flexibility.
- ▶ **Intrinsically safe** - the LMD can be used indoors or outdoors.

FIND IT! SENSIT[®]LMD LASER METHANE DETECTOR

Let the extremely durable, accurate and versatile SENSIT[®]LMD help lower your leak survey cost.

<u>TECHNICAL SPECIFICATIONS</u>	
Dimensions: 10" x 4.1" x 5.5" (25.4cm x 10.4cm x 14cm)	Operating Temp: 0-130° F (-18°C to 54.4°C)
Weight: 6.2 pounds (2.8 kg)	Battery Life: 8 hours
Power: 3 "D" alkaline batteries or NIMH rechargeable battery pack	Detection Range: 0-10,000ppm 0-100% LEL 5-100% volume
Construction Materials: polymer with stainless	Intrinsic Safety: INERIS EEx ib IIB T3 Environmental Resistance: IP 54



Q: How does the SENSIT LMD work?

A: The SENSIT LMD laser methane gas detector uses a diffracted feedback (DFB) laser diode tuned to a specific absorption wave length of methane gas (CH₄) in a Herriot cell sensor chamber. When the laser beam encounters methane molecules in the sensor chamber, a portion of the laser light is absorbed as the laser matches the absorption wavelength of methane. As a result, the SENSIT LMD is totally unaffected by other hydrocarbon gases, chemicals, water or pollution.

Q: What makes SENSIT LMD so sensitive?

A: Insensitive to temperature variances, vibrations and humidity, the SENSIT LMD detector's sensitivity is 0.1 ppm. Interaction with the air sample over an optical path of great length allows the SENSIT LMD to obtain its high sensitivity.

ACCESSORIES
 The SENSIT LMD portable detector is supplied with the following equipment: telescopic survey boot, probe rod, battery charger, carrying straps and storage case.

J And N Enterprises, Inc.
 851 Transport Drive
 Valparaiso, IN 46383
 Phone: (219) 465-2700
 Fax: (219) 465-2701
 888 4-SENSIT (888 437-6748)
 www.gasleaksensors.com



Represented by _____